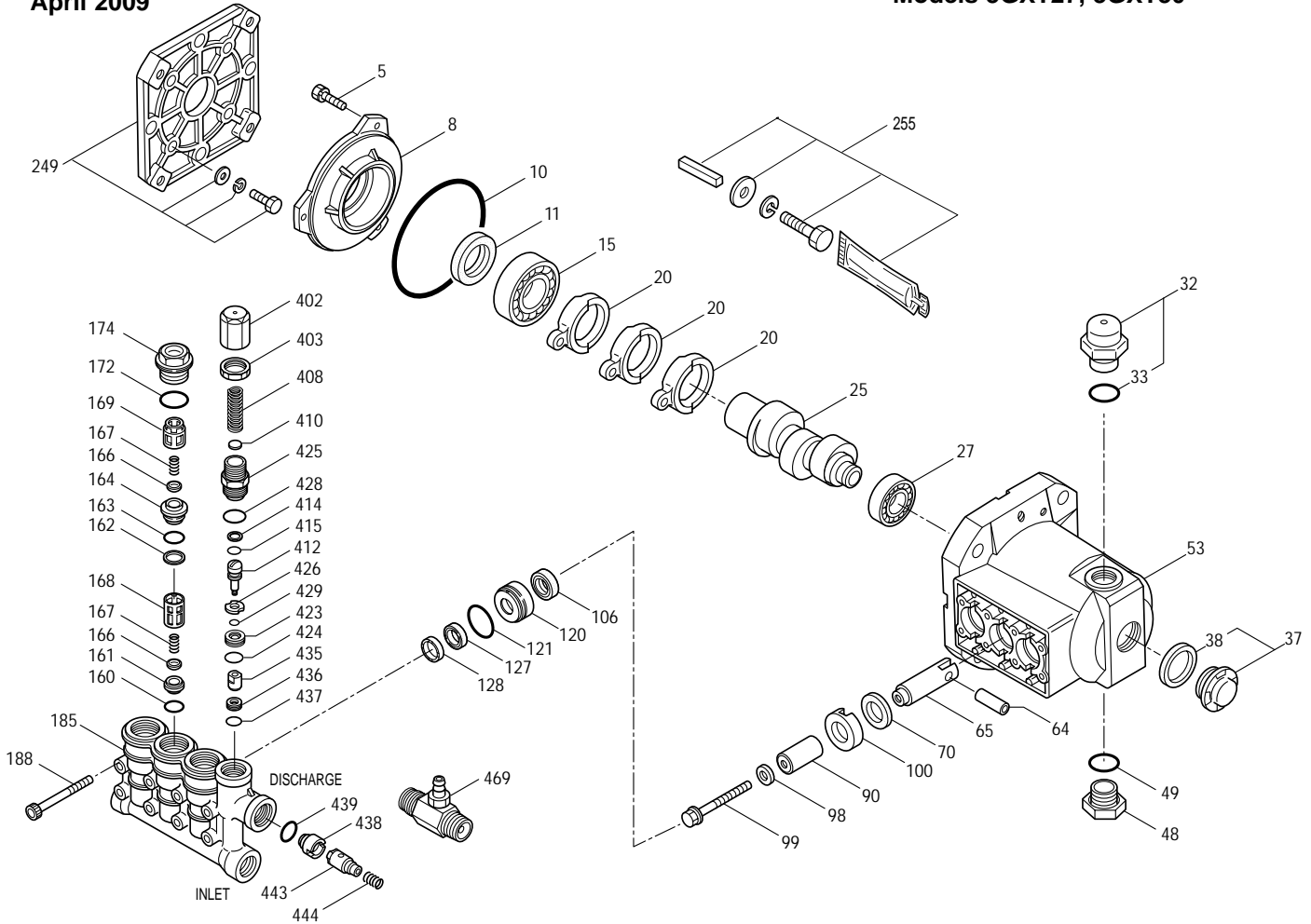


EXPLODED VIEW

April 2009

3GXT PLUNGER PUMP

Models 3GXT27, 3GXT30



PARTS LIST

ITEM	PN	MATL	DESCRIPTION	QTY	ITEM	PN	MATL	DESCRIPTION	QTY
5	549360	STCP R	Screw, HHC Sems (M6x14)	3	168	543988	PVDF	Retainer, Spring, Inlet	3
8	547153	AL	Cover, Bearing	1	169	547441	PVDF	Retainer, Spring, Discharge	3
10	14041	NBR	O-Ring, Bearing Cover - 70D	1	172	142807	NBR	O-Ring, Plug - 90D	3
11	55337	NBR	Seal, Oil - 70D	1	174	547078	BB	Plug, Valve (M22x1.5)	3
15	14488	STL	Bearing, Ball	1	185	548509	BB	Head, Manifold w/Integral Unloader Body	1
20	547048	TNM	Rod, Connecting	3	188	549357	STCP R	Screw, HSH (M6x60)	8
25	548196	CM	Crankshaft, 3450 RPM, 3/4", 6.2 mm (3GXT27)	1	249	30520	—	Assy, Adapter Mount	1
	548558	CM	Crankshaft, 3450 RPM, 3/4", 7.2 mm (3GXT30)	1	255	30516	STZP R	Assy, Bolt Mount	1
27	56084	STL	Bearing, Ball	1	300	31684	NBR	Kit, Seal (Incls: 98,106,121,127,128)	1
32	547961	RTP	Cap, Oil Filler w/O-Ring	1	310	31647	NBR	Kit, Valve (Incls: 160,161,162,163,164,166,167,168,169,172)	1
33	14179	NBR	O-Ring, Oil Filler Cap - 70D	1	400	—	—	Unloader, Integral	1
37	92241	—	Gauge, Bubble Oil w/Gasket	1	402	547798	BB	Cap, Adjusting	1
38	44428	NBR	Gasket, Flat Flex, Oil Gauge - 80D	1	403	45070	BB	Nut, Lock (M18x1)	1
48	44842	NY	Plug, Drain	1	408	32094	STZP R	Spring, Pressure	1
49	14179	NBR	O-Ring, Drain Plug - 70D	1	410	549352	STCP R	Retainer, Spring	1
53	548062	AL	Crankcase	1	412	45694	S	Stem, Piston	1
64	46229	CM	Pin, Crosshead	3	414	20184	PTFE	Back-up-Ring, Piston Stem	1
65	542402	BBCP	Rod, Plunger	3	415	14190	NBR	O-Ring, Piston Stem - 70D	1
70	47215	NBR	Seal, Oil - 70D	3	423	46249	BB	Retainer, Valve	1
90	547091	CC	Plunger (M14x25.5)	3	424	13966	NBR	O-Ring, Valve Retainer (Outer) - 70D	1
98	46730	NBR	Washer, Seal - 90D	3	425	547799	BB	Retainer, Piston	1
99	542405	S	Retainer, Plunger (M6x35)	3	426	46250	S	Washer	1
100	46233	NY	Retainer, Seal	3	428	26133	NBR	O-Ring, Piston Retainer - 80D	1
106	45188	NBR	Seal, LPS w/S-Spg	3	429	17399	NBR	O-Ring, Valve Retainer (Inner) - 80D	1
120	548559	BB	Case, Seal	3	435	547800	S	Valve	1
121	13976	NBR	O-Ring, Seal Case - 70D	3	436	547801	S	Seat	1
127	547082	SNG	V-Packing	3	437	13963	NBR	O-Ring, Seat - 70D	1
128	547083	PVDF	Adapter, Male	3	438	46254	NY	Seat, Check Valve	1
160	17428	NBR	O-Ring, Inlet Seat - 80D	3	439	13963	NBR	O-Ring, Check Valve Seat - 70D	1
161	547077	S	Seat, Inlet	3	443	541060	BB	Valve, Check w/O-Ring	1
162	48361	D	Back-up-Ring, Discharge Seat	3	444	45924	S	Spring	1
163	43358	NBR	O-Ring, Discharge Seat - 70D	3	468	31767	NBR	Kit, O-Ring (Incls: 414,415,424,428,429,437)	1
164	547076	S	Seat, Discharge	3	469	7332	BB	Injector, Fixed (M18x1)	1
166	547098	S	Valve	6					
167	46865	S	Spring	6					

Italics are optional items. R Components comply with RoHS Directive.

See Tech Bulletins 002, 024, 036, 043, 055, 074 and 083 for additional information.

MATERIAL CODES (Not Part of Part Number): AL=Aluminum BB=Brass BBCP=Brass/Chrome Plated CC=Ceramic CM=Chrome-moly D=Acetal

NBR=Medium Nitrile (Buna-N) NY=Nylon PVDF=Polyvinylidene Fluoride RTP=Reinforced Composite S=304SS

SNG=Special Blend (Buna) STL=Steel STCP=Steel/Chrome Plated STZP=Steel/Zinc Plated TNM=Special High Strength

NOTE: Discard Key which may come standard with most engines and **use only the key included in this kit.**

Center raised pilot guide on the **Adapter Plate** assures proper alignment of pump and engine. Before mounting pump onto engine inspect engine for **recessed seal and bearing guide** to permit adapter to completely seat into recess and four bosses to be flush with engine face.